

PFAFF

quilt expression 720

Parts List

Nicht nummerierte Teile im Katalog werden nicht geliefert.

The parts mentioned without number in the parts list are not available.

Les pièces qui ne sont pas numérotées dans la liste de pièces détachées ne peuvent être livrées.

Bei Bestellung von Ersatzteilen muss die Modell-Nr. der Maschine, die Seitenzahl des Kataloges und die Teilenummer angegeben werden.

Prière d'indiquer dans vos commandes de pièces de rechange, le numéro de la machine, le numéro de la page dans la liste des pièces détachées, ainsi que les numéros des pièces commandées.

When ordering spare parts, please state the model number, the page number in the catalogue of spare parts and the number of the parts called for.



Please note that on disposal, this product must be safely recycled in accordance with relevant National legislation relating to electrical/electronic products. If in doubt please contact your retailer for guidance.



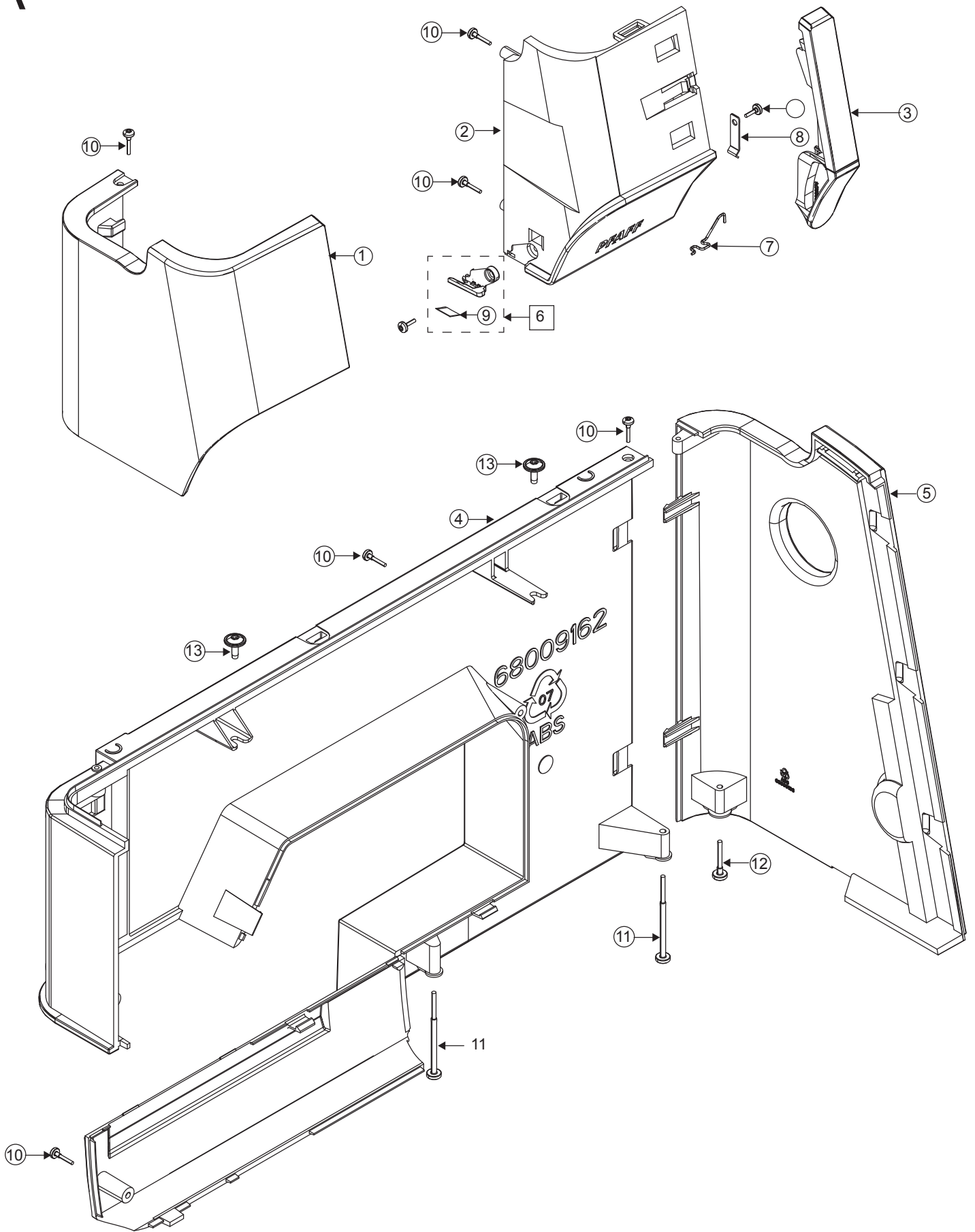
Bitte beachten Sie, dass hinsichtlich der Entsorgung dieses Produkts, vorschriftsmäßig entsprechend der gültigen nationalen Gesetzgebung für elektrische/elektronische Produkte, recycelt werden muss. Bei Zweifel setzen Sie sich bitte mit Ihrem Fachhändler in Verbindung.



Veuillez noter qu'en cas de destruction, ce produit doit bénéficier d'un recyclage sécurisé, conforme à la législation nationale applicable aux produits électriques/électroniques. En cas de doute, veuillez contacter votre distributeur agréé.

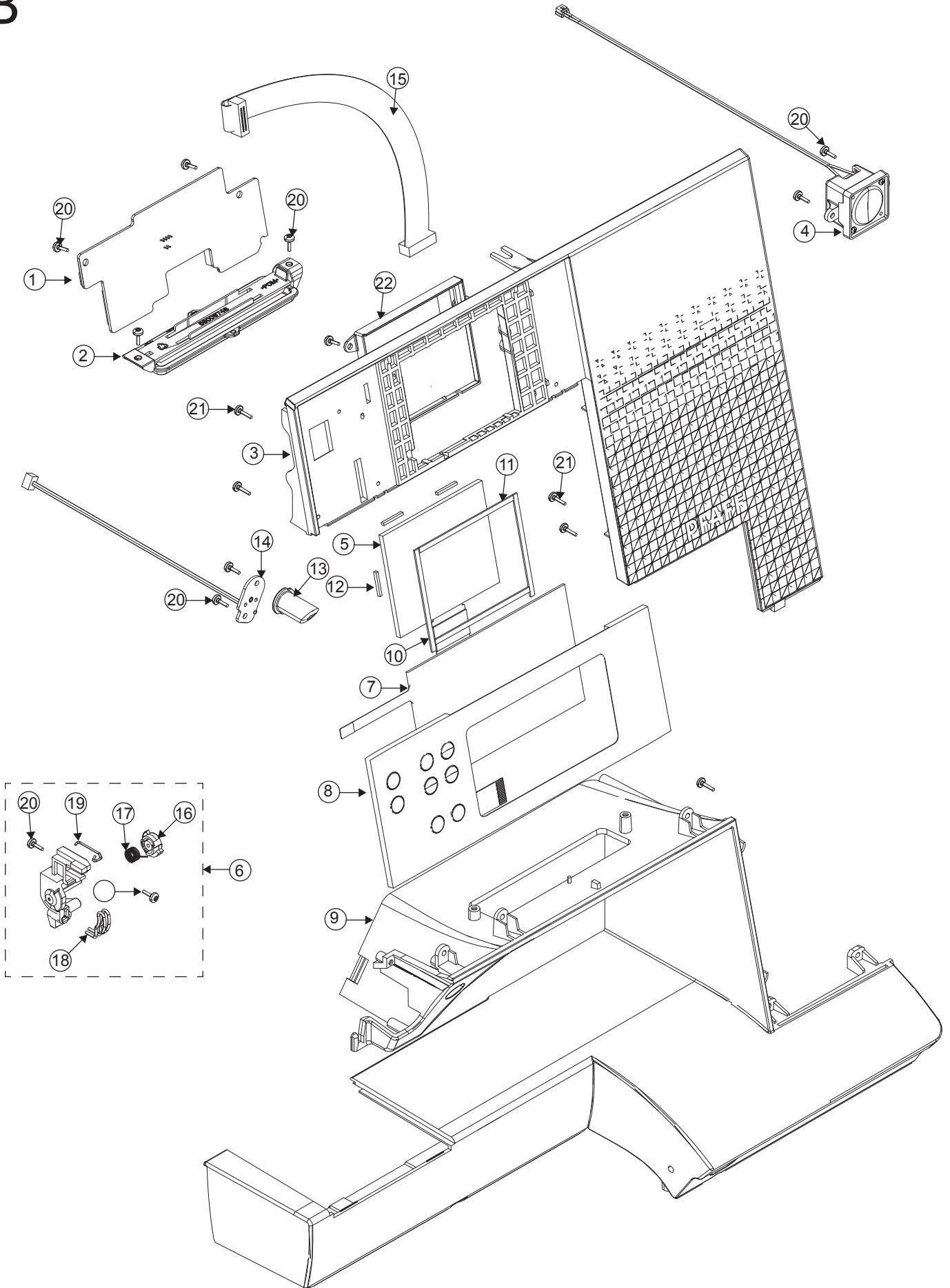
- All casted parts within our products are marked with name of material if allowed by size.
- All molded plastic parts within our products are marked with name of material if allowed by size.

A



POS	PART NUMBER	DESCRIPTION
1	68011145	Decor Sewing Head,
2	68009164	Cover Sewing Head
3	68009085	Cover Tension
4	68009162	Cover Rear
5	68009166	Cover Motor
6	68001886	Thread Cutter Cpl
7	413068801	THREAD GUIDE
8	68008745	Plate Spring
9	412423701	Thread Cutter
10	411966803	Screw PT 4x50 FZB
11	411966813	Screw PT 4x50 FZB
12	411966810	Screw PT 4x20 FZB
13	412281904	Screw Flange M4x10 TT Torx

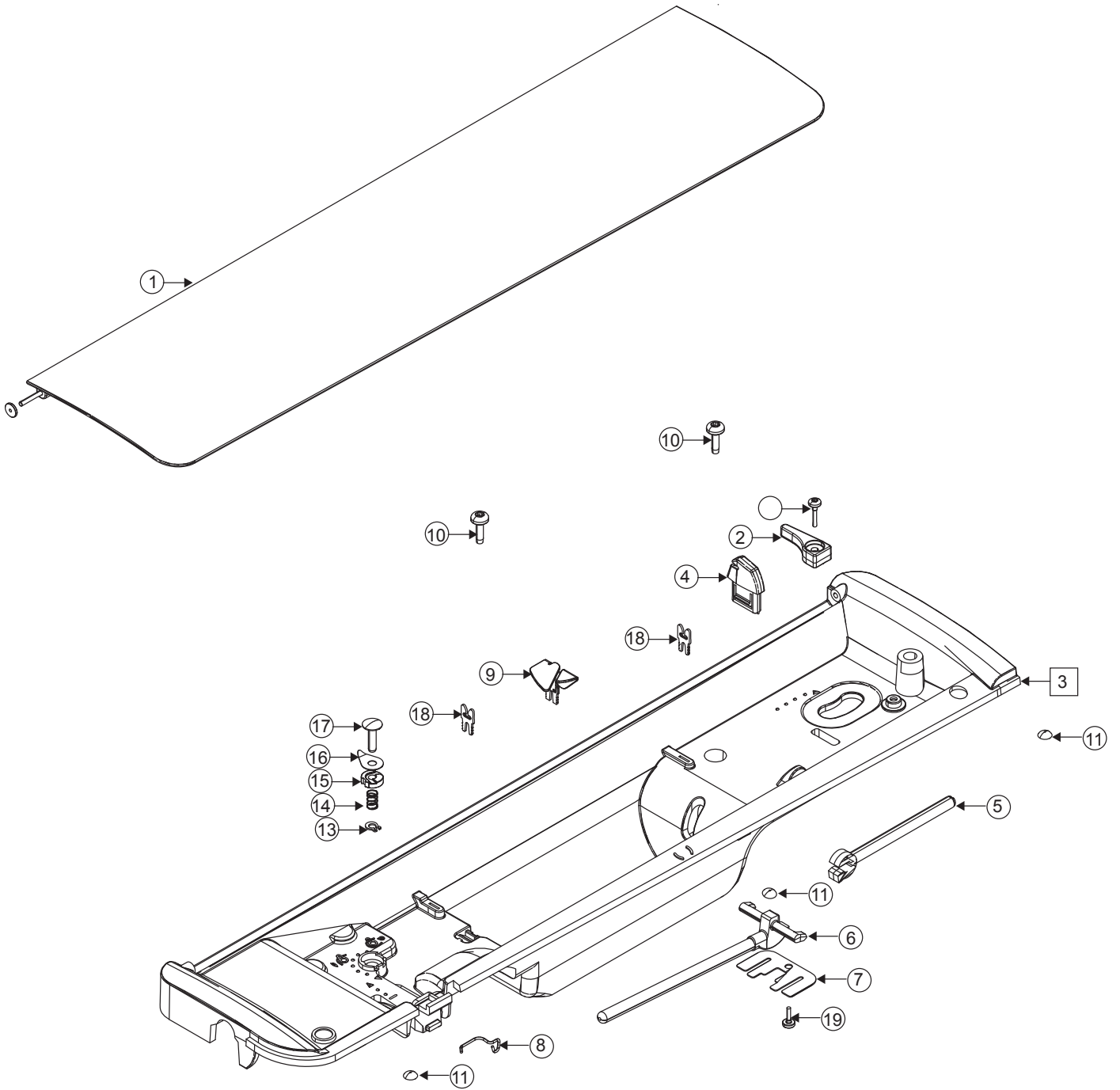
B



POS	PART NUMBER	DESCRIPTION
1	413340680	APPLICATION BOARD
2	68009746	LED C PF Cpl
3	68009776	Cover Display
4	413050002	LOUDSPEAKER
5	413309601	Display
6	413004004	Thread Sensor Cpl
7	68011092	Touch Panel
8	68011085	Keyboard
9	68011056	Cover Front Base
10	413380101	Sealing Strip
11	413380102	Sealing Strip
12		
13	68011583	Reverse Button Cpl
14	413067402	REVERSE BUTTON BOARD
15	413358602	CABLE 250mm 26 Pin
16	413004301	ADJUSTING SLEEVE
17	412519202	CHECK SPRING
18	412519301	THREAD GUIDE
19	413004501	THREAD SENSOR,
20	411966801	Screw PT 3x7,7
21	411966820	Screw PT 3x10

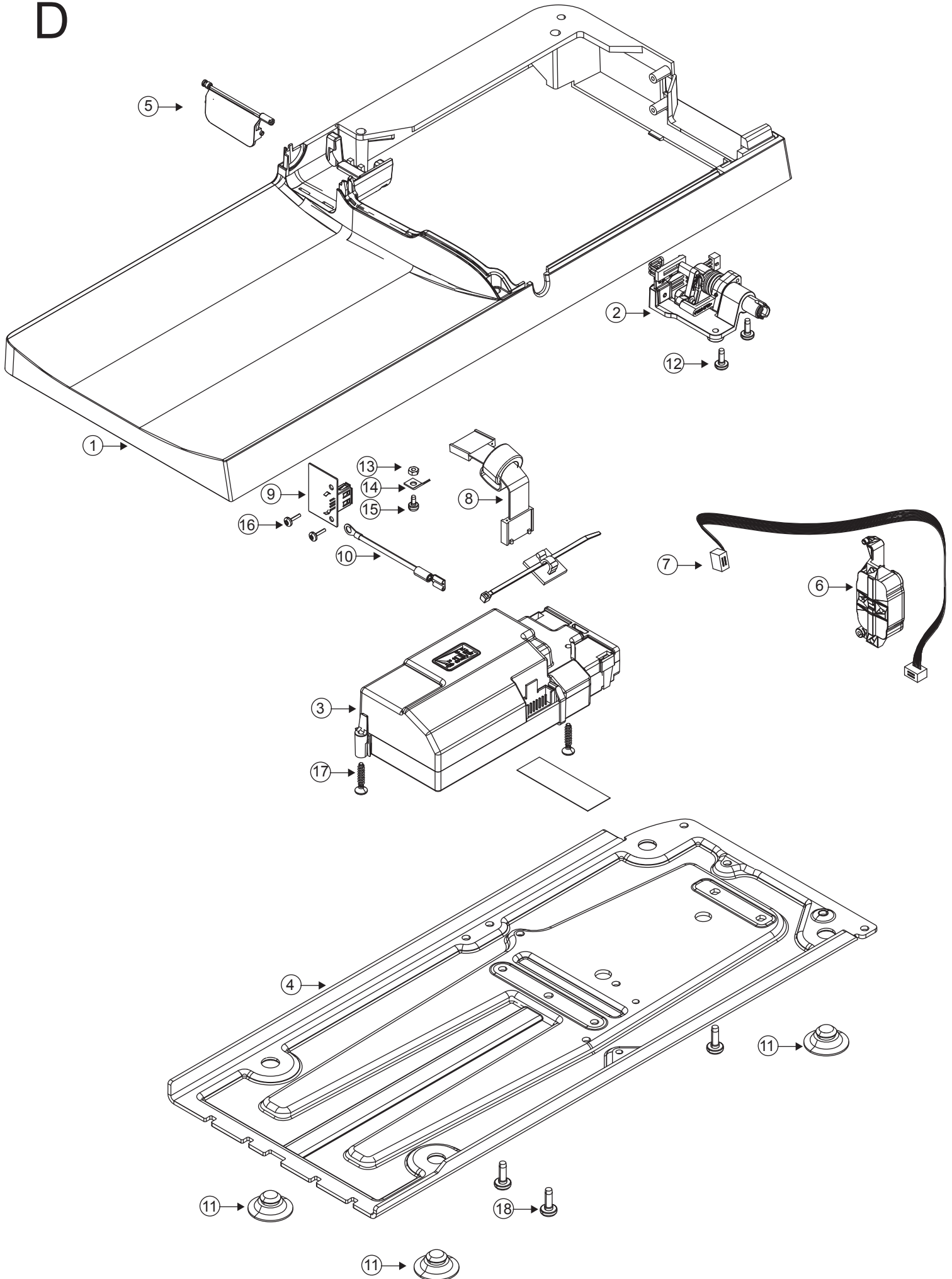
B

C



POS	PART NUMBER	DESCRIPTION
1	68011222	Lid 720 Cpl
2	413108901	Stop
3		
4	413022501	COVER THREADKNIFE CPL
5	412960401	Thread Reel Pin
6	413064501	Reel Pin
7	412735201	PLATE SPRING
8	413064602	Thread Support
9	413190001	Thread Guide Cpl
10	412056006	Screw TT M4x12
11	412569701	Damper
12	411966803	Screw PT 3x12 FZB
13	1261814045000	Compression Ring Ø3.3x0.6
14	9304006005000	Cylindrical Compression Spring
15	9303205025000	Thread Support
16	9303906805000	Thread Guide Bobbin Winder
17	9303017435000	Pin Thread Support
18	413060201	Thread Support
19	411966801	Screw PT 3x7,7 FZB

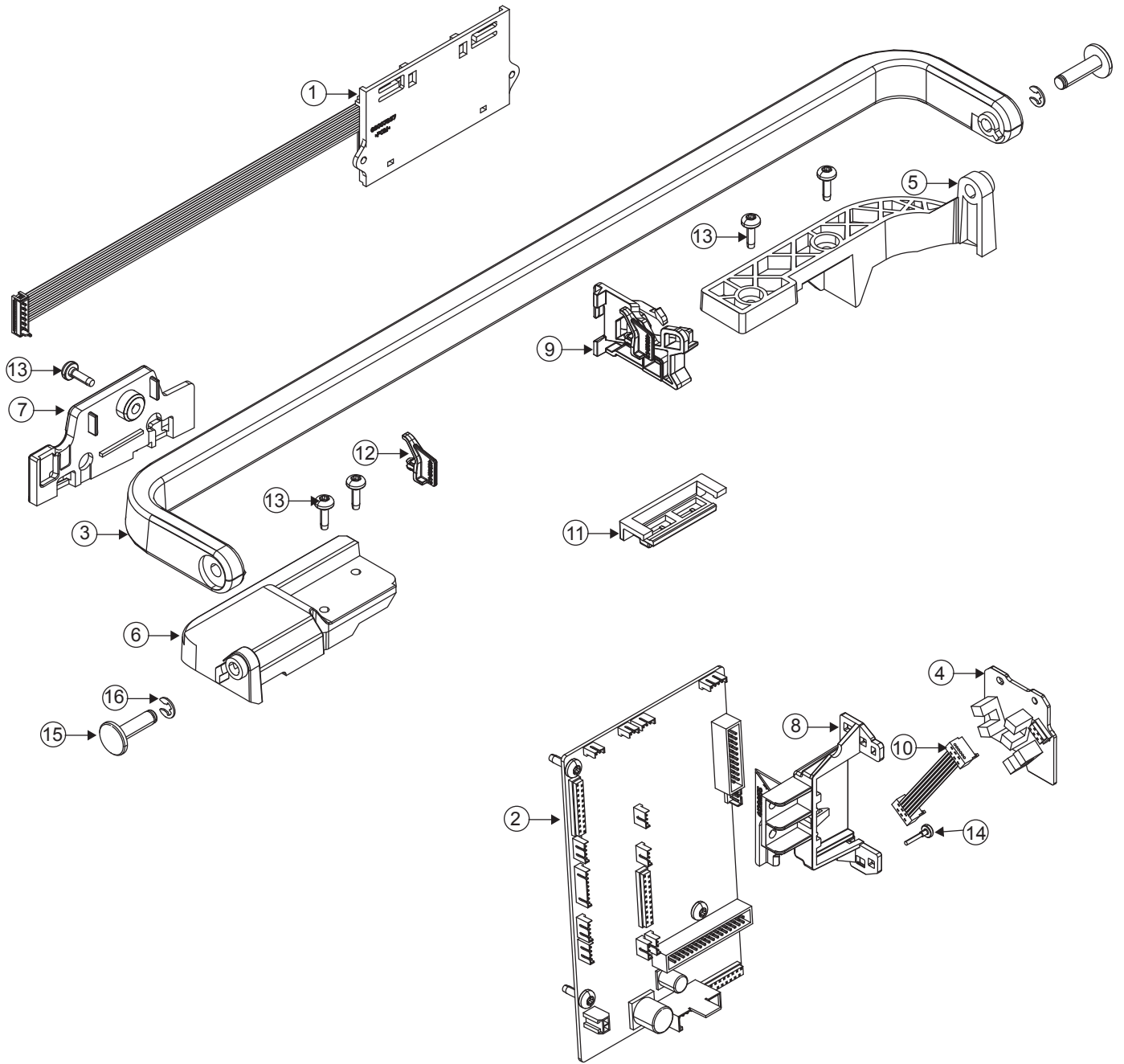
D



POS	PART NUMBER	DESCRIPTION
1	68011353	Cover base plate
2	413050201	Knee Lift Cpl
3	413319402	Power supply Cpl.
4	412954501	Bottom base plate
5	68011290	Cover EU connection
6	68011264	Bracket Ferrite Cpl
7	68011341	Cable Assembly 380mm 10P
8	413373902	Cable Transformer - Control Board
9	68010813	USB Connector Board
10	68011278	Grounding Cable USB
11	412305001	Foot base plate
12	412056005	Screw TT M4x10
13		
14		
15	412056004	Screw TT M3x6
16	411966820	Screw PT 3x10 FZB
17	411967105	Screw PT FS 40x20 FZB TORX
18	412056001	Screw TT M5x14

D

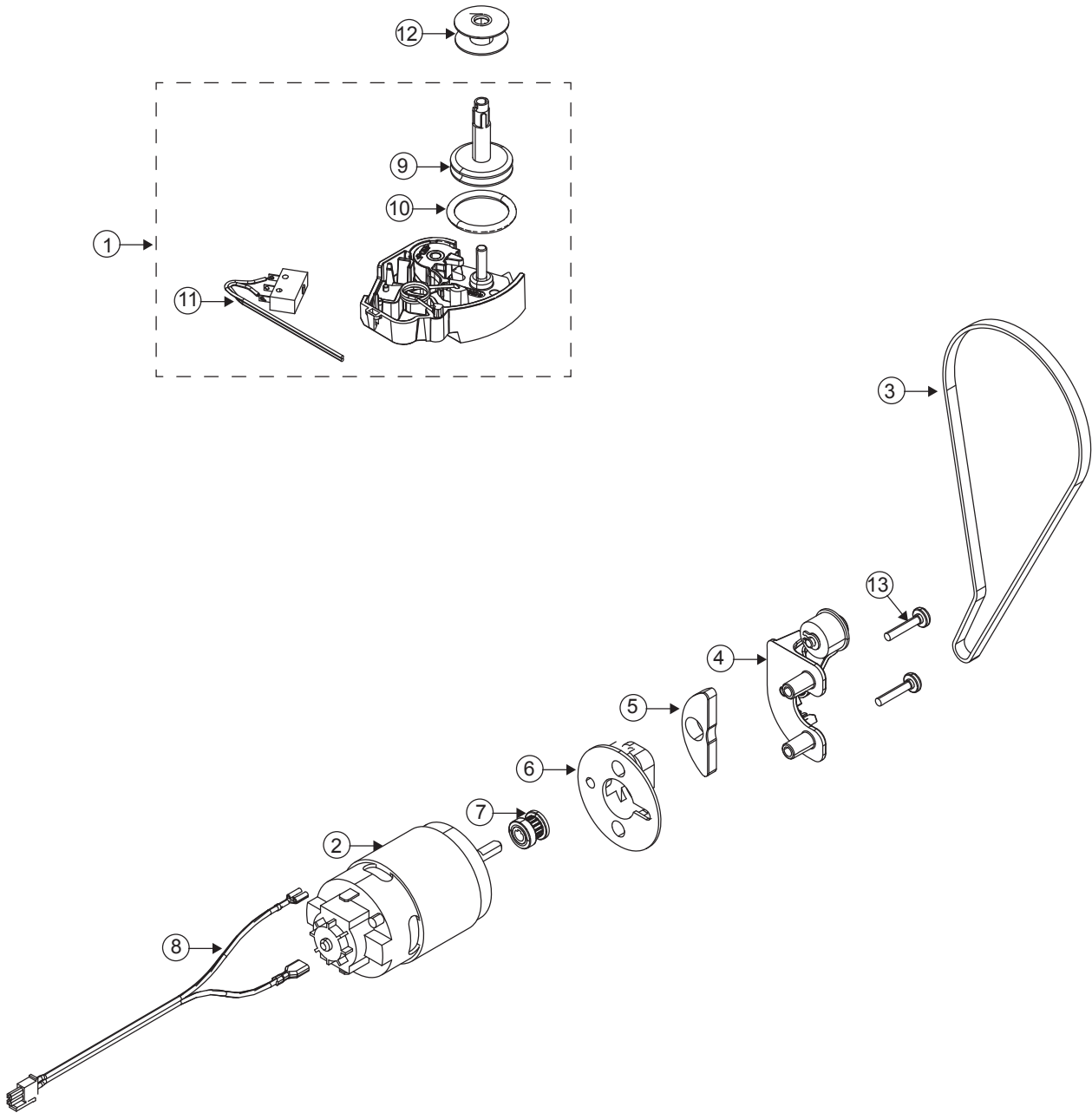
E



POS	PART NUMBER	DESCRIPTION
1	68007840	Right Connector Board Cpl
2	413249280	Control Board Base
3	68011172	Handle Cpl.
4	412986401	Sensor Board Cpl,
5	68008819	Bracket Handle Right
6	68008821	Bracket Handle Left
7	413063901	Cable Shield
8	412985502	Holder
9	413024101	Cable Locator
10	412546913	CABLE ASSEMBLY 6P
11	413075601	Cable Locator
12	413024201	Cable Clamp
13	412056006	Screw TT M4x12
14	411966803	Screw PT 3x12 FZB
15	68003203	HCB Bolt
16	735310820	E-Clip 4x0.7

E

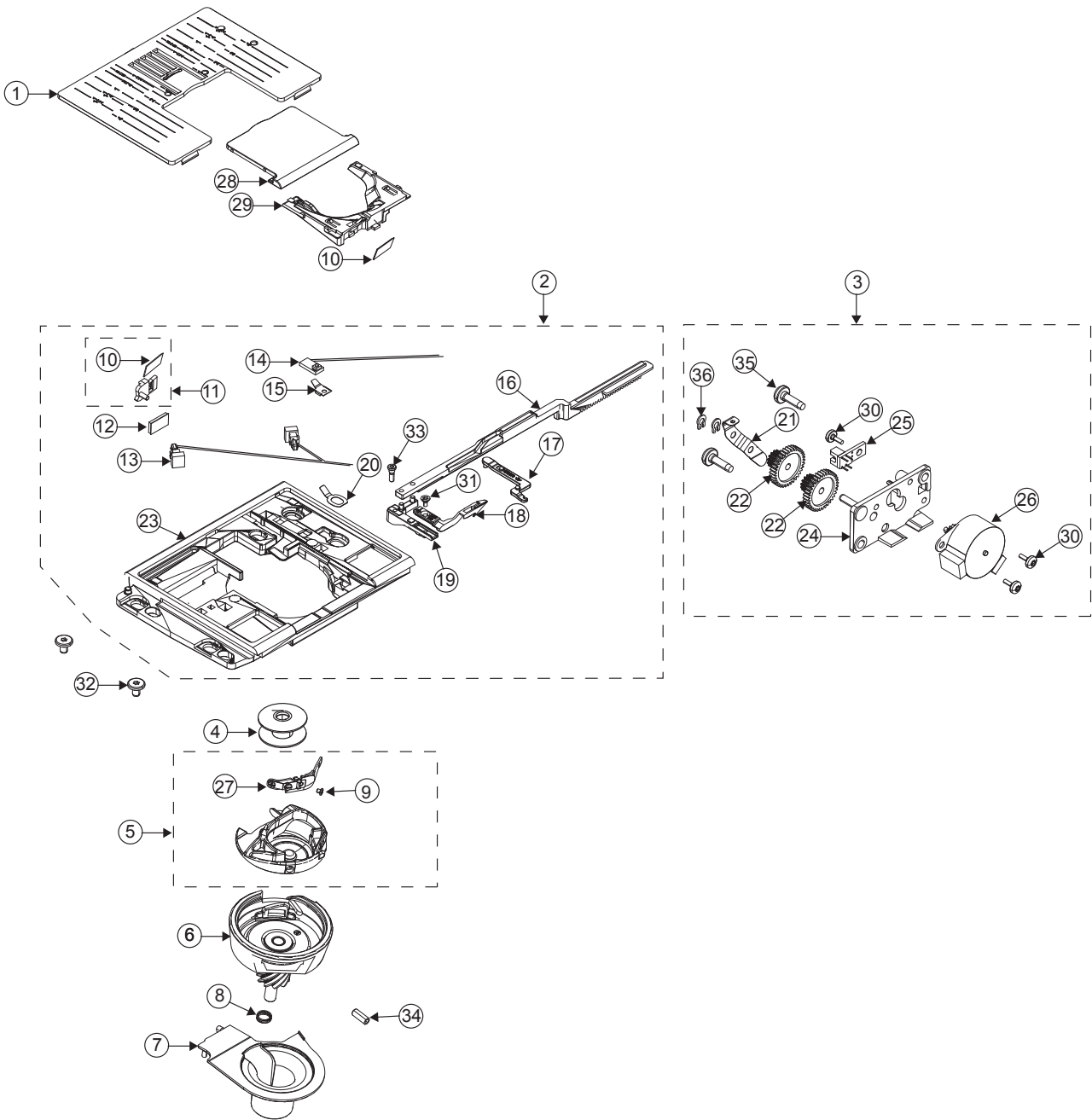
F



POS	PART NUMBER	DESCRIPTION
1	412955501	Bobbin Winding Unit
2	9233011191000	Motor
3	413020201	Belt Motor
4	412971902	Belt Tensioner Cpl
5	413317201	Spacer Block Motor
6	412999902	Rubber Damper Motor
7	412353302	Motor Pulley Cpl.
8	413056901	Cable motor
9		
10	412305503	O-Ring
11	413049101	Microswitch Cpl
12	820921096	Bobbin

F

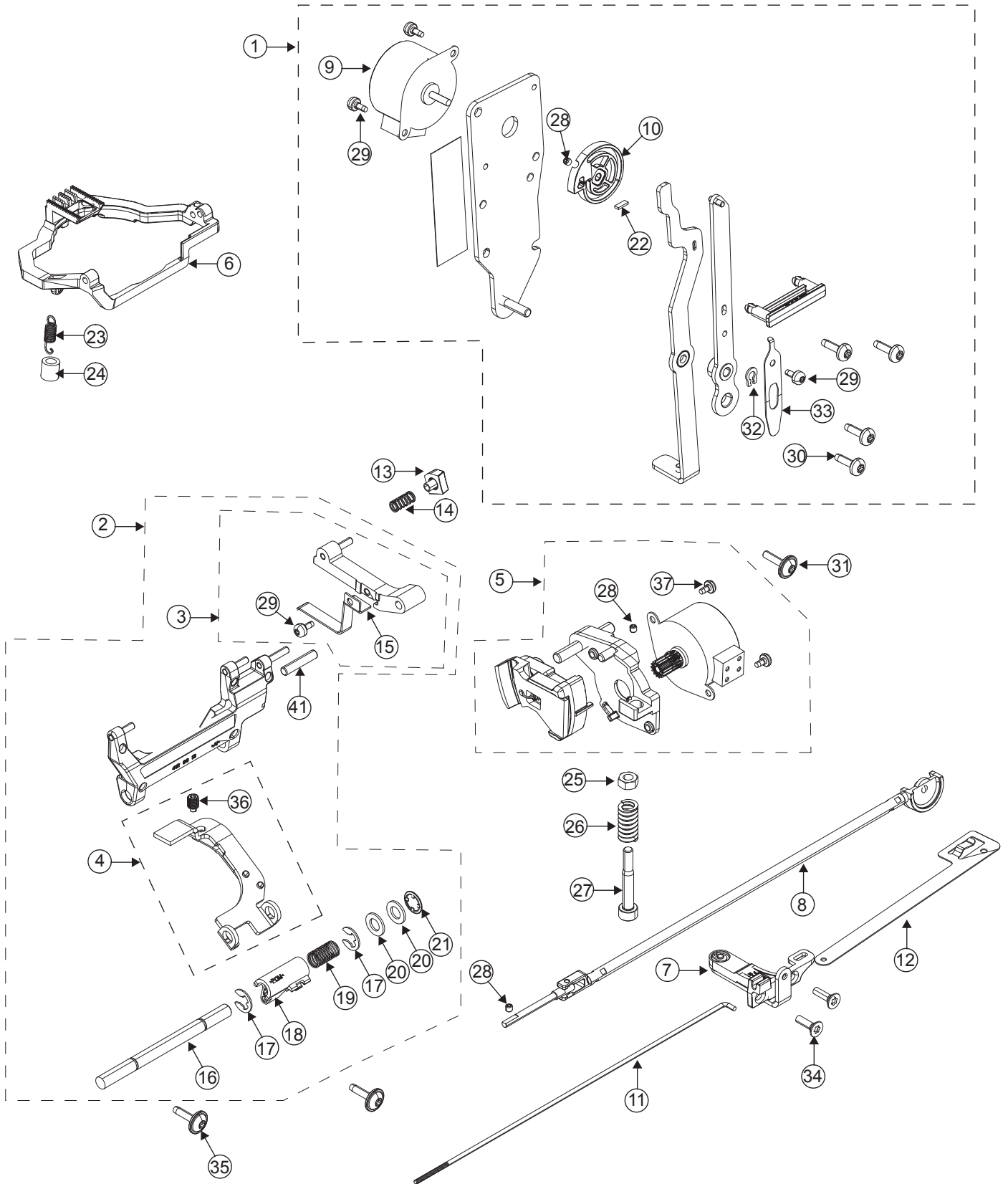
G



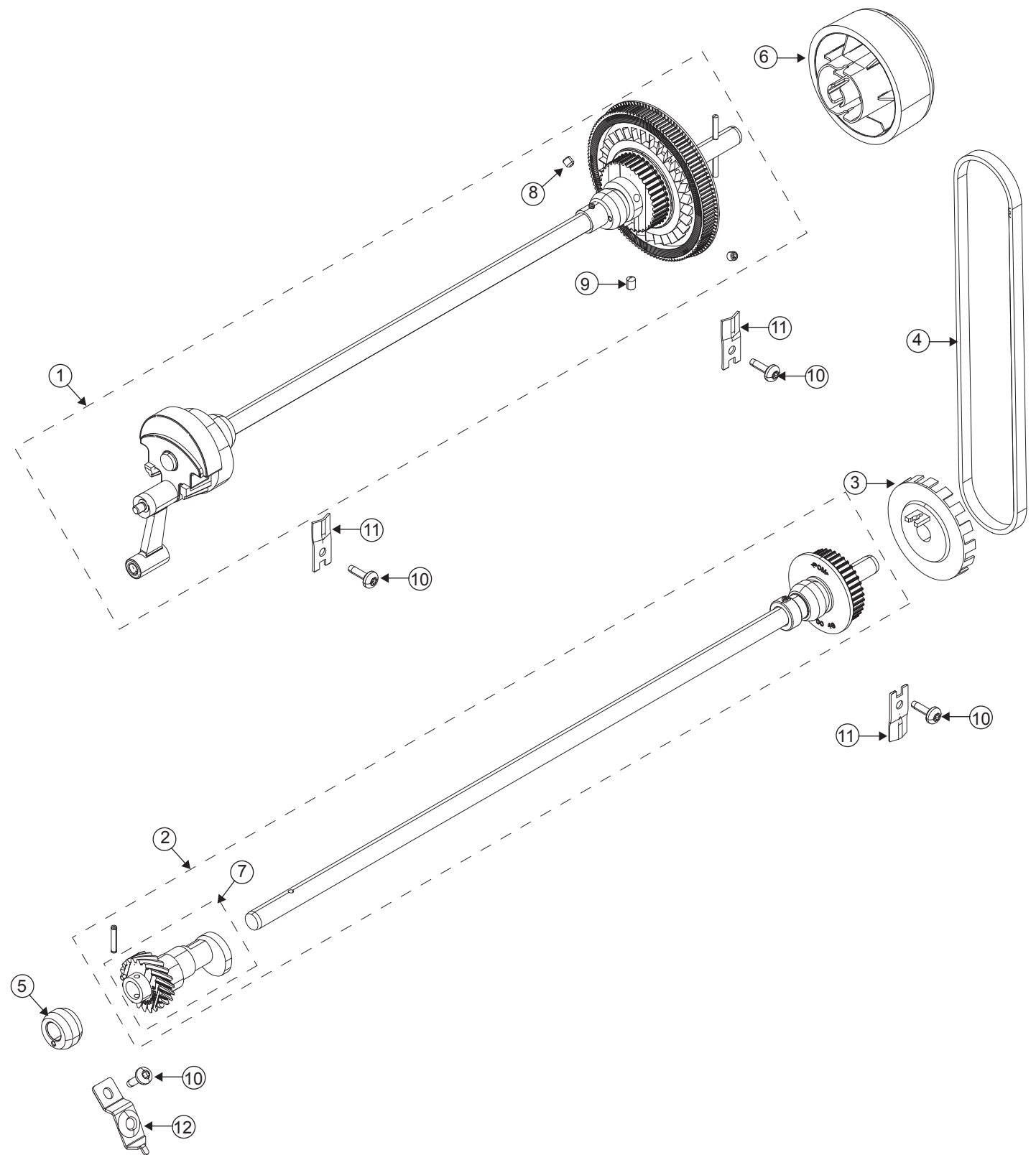
POS	PART NUMBER	DESCRIPTION
1	412964309	Stitch Plate Pfaff Metric Inch,
2	412964004	HOOK COVER CPL.
3	413007402	STEPPING MOTOR CPL
4	820921096	BOBBINS, CPL. PF. GREY
5	413058903	Bobbin Case Cpl.
6	68016090	Hook Cpl With Shaft
7	412964502	DUST COVER
8	412930101	Spring Hook
9		Screw Thread Tension
10	413188801	THREAD CUTTER
11	413047301	Knife Holder Cpl
12	413116701	THREAD BRAKE
13	413101502	CABLE ASS. BOBBIN SENSOR
14	413272501	STITCH PLATE SENSOR ASS.
15	413287301	Spring Stitch Plate Sensor
16		
17	413007301	Fetcher Upper Thread
18	413007101	Fetcher
19	413072201	Connecting Part Fetcher
20	412997701	ESD SPRING, STITCH PLATE
21	413007601	GUIDE GEAR RACK
22		
23	412964105	Hook Cover
24	413353001	MOTOR PLATE CPL
25	413072601	PCB CUTSENSOR
26	413004601	Stepping Motor 25mm
27	412471601	Thread Tension Cpl
28	412963901	Bobbin Cover
29	413025601	RETAINER
30	411966828	Screw PT 3x6 FZB
31	412280501	SCREW, COUNTERSUNK
32	412287903	Screw M4x5
33	413010001	Guide Pin
34	728528705	Set Screw M4x8
35	412056006	Screw TT M4x12
36	735612440	Compression Ring Ø3x0.6

G

H



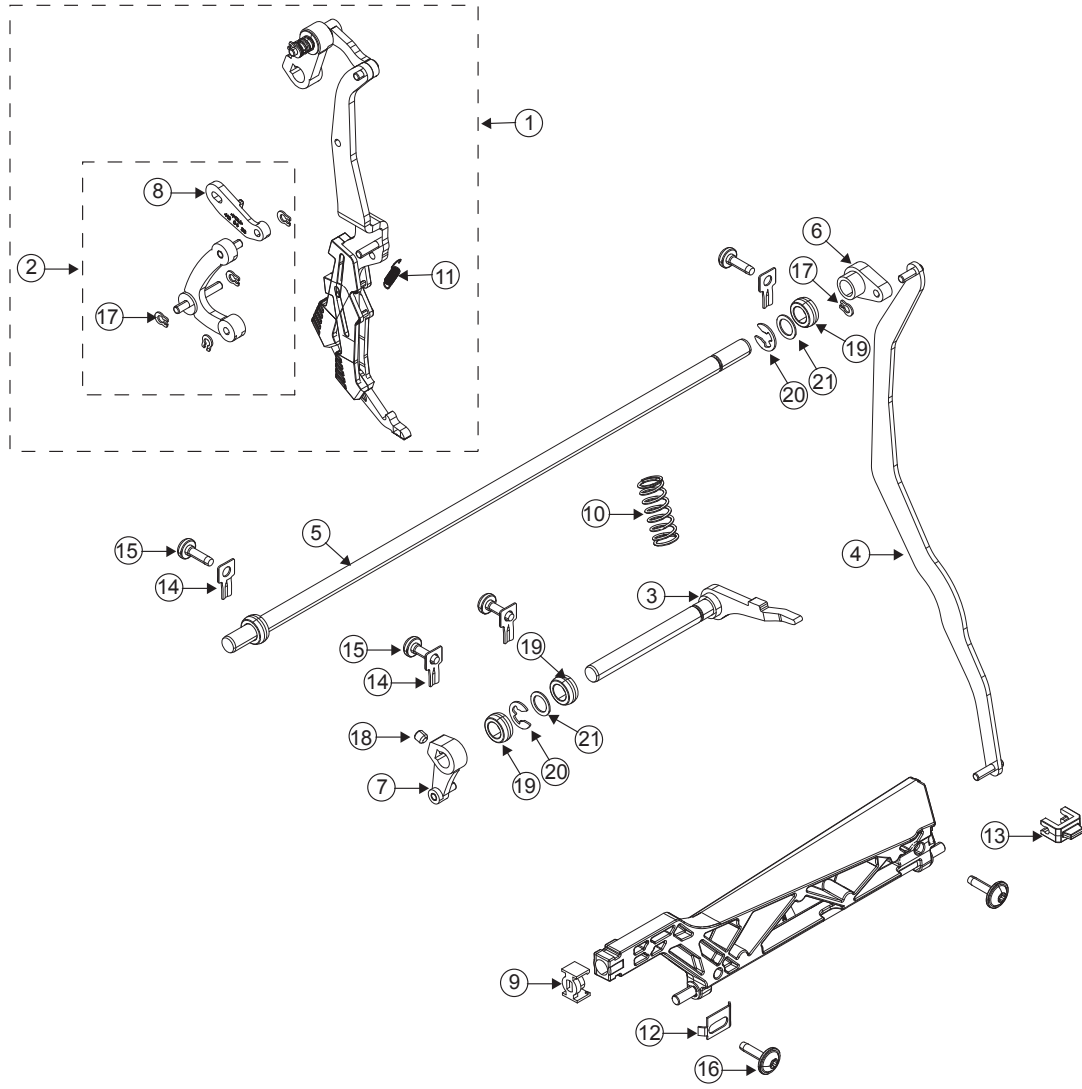
POS	PART NUMBER	DESCRIPTION
1	413060001	Side Feed Feed Dog Drop Cpl
2	413269015	CARRIGE FEED CPL
3	412961602	LINK, CARRIAGE FEED CPL
4	413200901	LEVER FEED LIFT CPL
5	412963501	FEED STEPPING MOTOR UNIT,
6	413201303	Feed Dog Cpl
7	413034501	Linkage Feed Dog Drop Cpl
8	413033701	PULL ROD, SIDE FEED CPL
9	412997902	Stepping Motor Side Feed
10	413060101	Cam Wheel Cpl
11	413034101	FEED DOG DROP PULL WIRE
12	413033401	FEED DOG DROP TRANSM LINKAGE
13	412961801	GUIDE BLOCK
14	412961701	GIUDE BLOCK SPRING
15	412961501	FEED SPRING
16	412962301	FEED SHAFT
17	735310920	E-Clip 5x0.7
18	413034201	LEVER FEED LIFT INSERT
19	412962501	Spring Feed
20	412829103	Washer Feed Unit
21	412368001	Lock Washer
22		
23	413270001	Tension Spring Frame Feed Dog
24	413112601	Buffer
25	413025401	NUT M5X0.5
26	412963601	Spring
27	412963701	SCREW BALANCE ADJUSTMENT
28	411968703	Set Screw Flat M3x3 Torx
29	412056004	Screw TT M3x6
30	412056006	Screw TT M4x12
31	413034402	LEFT HAND COLLAR SCREW M4x10
32	735613640	Compression Ring Ø4x0.8
33		
34	411967212	Screw FS TT M4x12
35	413169401	Collar Screw TT 4x14
36	413201201	Adjustment Screw Feeder
37	412056011	Screw TT M3x5



POS	PART NUMBER	DESCRIPTION
1	412966709	UPPER SHAFT CPL
2	412967905	Lower Shaft Cpl
3	412968101	SHIELD, REV. INDICATOR
4	413020301	COG BELT UPPER- LOWERSHAFT
5	412491601	Bearing Eccentric
6	68011228	Hand Wheel
7	412964403	ECCENTRIC FEED CPL
8	411968706	Set Screw Flat M4x4
9	411968807	SET SCREW POINTED M4 X 6
10	412056006	Screw TT M4x12
11	412328401	Clamp
12	412318101	Cap Lower Shaft Left



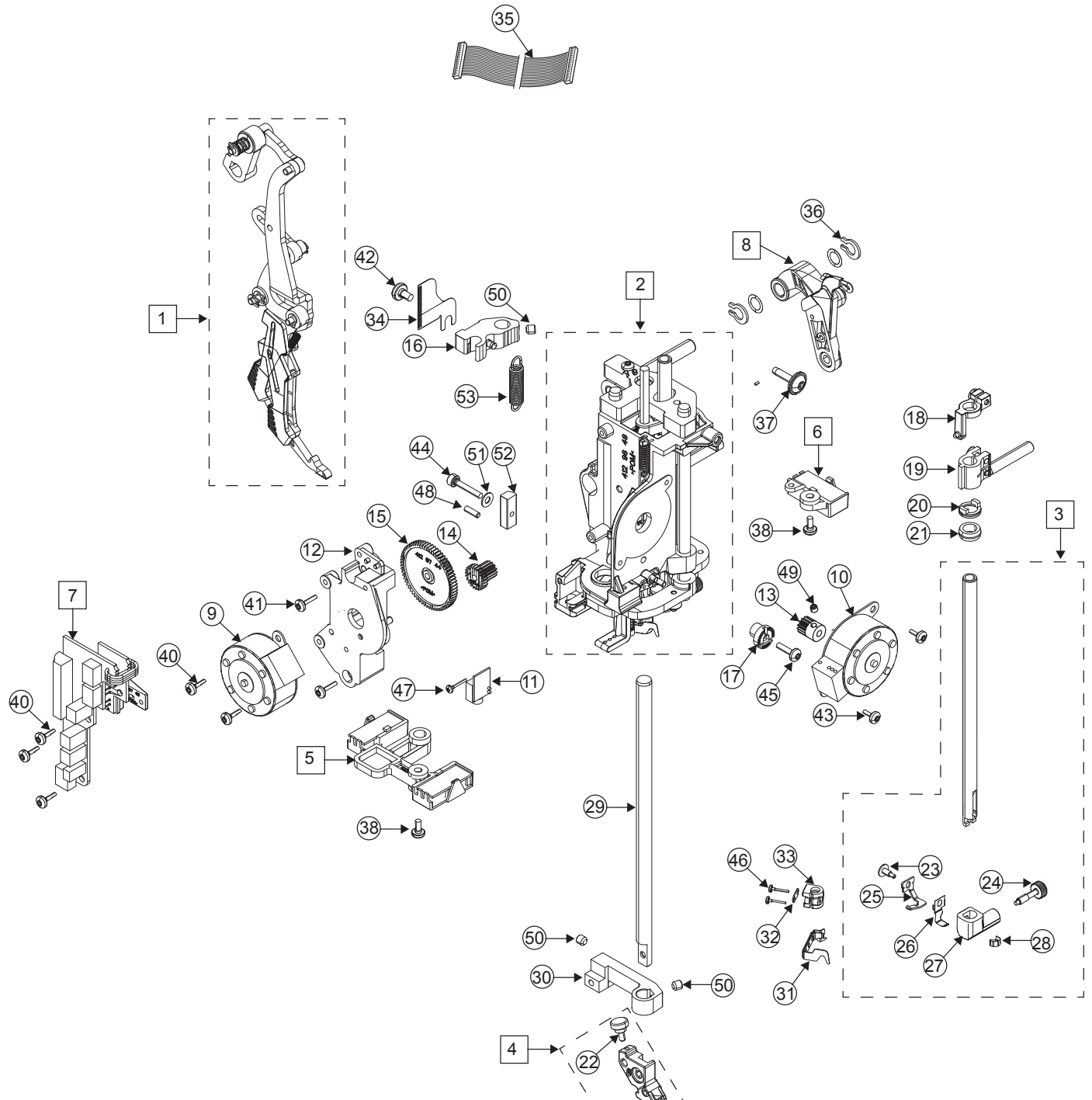
J



POS	PART NUMBER	DESCRIPTION
1	413043202	Lever IDT Cpl
2	413140802	TOGGLE LINK, IDT CPL
3	413065701	HEIGHT SHAFT, IDT CPL
4	413043001	LINK IDT, LONG
5	413042401	SHAFT UPPER, IDT
6	413042501	REAR CRANK, IDT
7	413046201	HEIGHT CRANK, IDT CPL
8	413043601	LOWER SLEWING BRACKET, IDT
9	413042201	FEEDER BEARING, IDT
10	413065901	COMPRESSION SPRING, HEIGHT CAM
11		
12	413140701	CLAMP SHAFT
13	413042001	CLAMPING, IDT
14	413042901	Clamp IDT
15	412056006	Screw TT M4x12
16	413169401	Collar Screw TT 4x14
17	735612440	Compression Ring Ø3x0.6
18	411968706	Set Screw Flat M4x4
19	413042601	Bearing IDT
20	735310920	E-Clip 5x0.7
21		

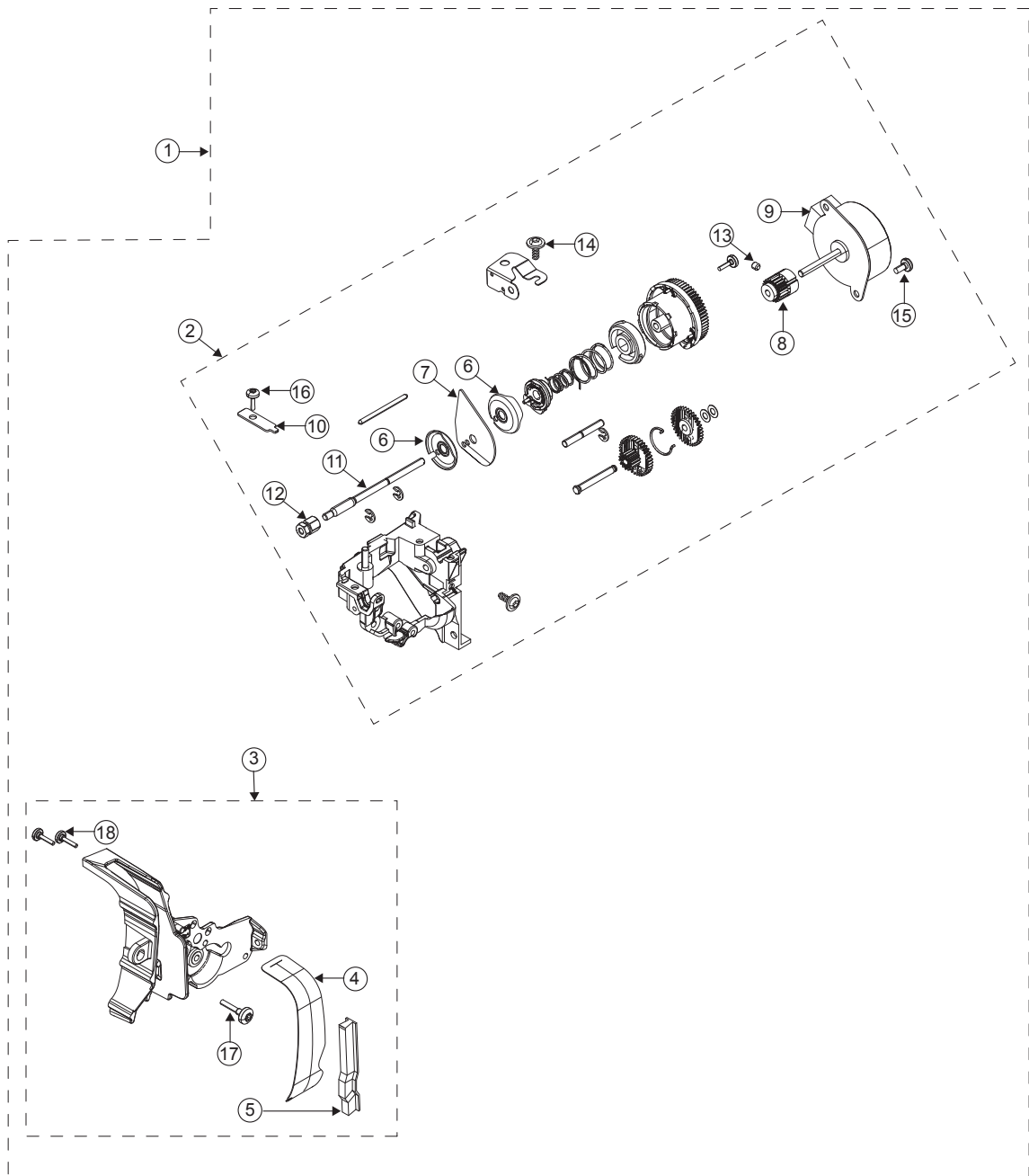
J

K



POS	PART NUMBER	DESCRIPTION
1	413244201	SEWING HEAD CPL A HV/PF SPARE
2	413043202	Lever IDT Cpl
3	68003690	Needle Bar Cpl
4	68005972	Holder Presser Foot Cpl
5	68009111	LED Holder Left Cpl
6	68009102	LED Holder Right Cpl
7	68010808	CONN. BOARD SEW HEAD
8	413232002	Take Up Lever Cpl with Link
9	412993902	Stepping Motor
10	412993901	Stepping Motor
11	413031001	Connector Board Assembly
12	412974105	Servo Sewing Head
13	413057201	Z-Z GEAR
14	412974301	GEARWHEEL SERVO PRIM
15	412974401	GEARWHEEL, SERVO SEC
16		
17	412966501	Calibration Knob
18	412993502	Stroke limiter
19	412993605	Cross head
20	412504701	LOCKING DEVICE
21	412501501	Bearing
22	9869488900000	Screw
23	68002284	Screw Thread Leader
24	413372901	Screw Needle Holder
25	68008796	Thread Guide
26	413304201	Thread Lock
27	68003691	Needle Holder
28	68016246	Clamping Piece
29	412285403	Presser Bar
30	413045801	Presser Bar Guide Servo IDT
31	413238402	NEEDLE THREADER
32	412876701	Washer Needle Threader
33	413053601	HOLDER, NEEDLE THREADER
34	412973901	SHIELD, PRESSERFOOT SERVO
35	412546927	CABLE ASSEMBLY (22 PIN)
36	735615340	Compression Ring Ø6x1
37	413169401	Collar Screw TT 4x14
38	412211402	Screw M3x6
39	413040401	Screw Holder Presser Foot
40	413019001	SCREW K 30 x 8
41	411966820	Screw PT 3x10
42		
43	411966828	Screw PT 3x6
44	725522805	Screw M3x16
45	412211404	Screw M3x10
46	411966825	Screw PT 1,6x8
47	411966821	Screw PT 1,8x10
48	728522205	Socket Set Screw Flat Point
49	411968703	Set Screw Flat M3x3
50	411968706	Set Screw Flat M4x4
51		
52	412966601	Wedge
53	413137602	Spring Presserfoot Pressure

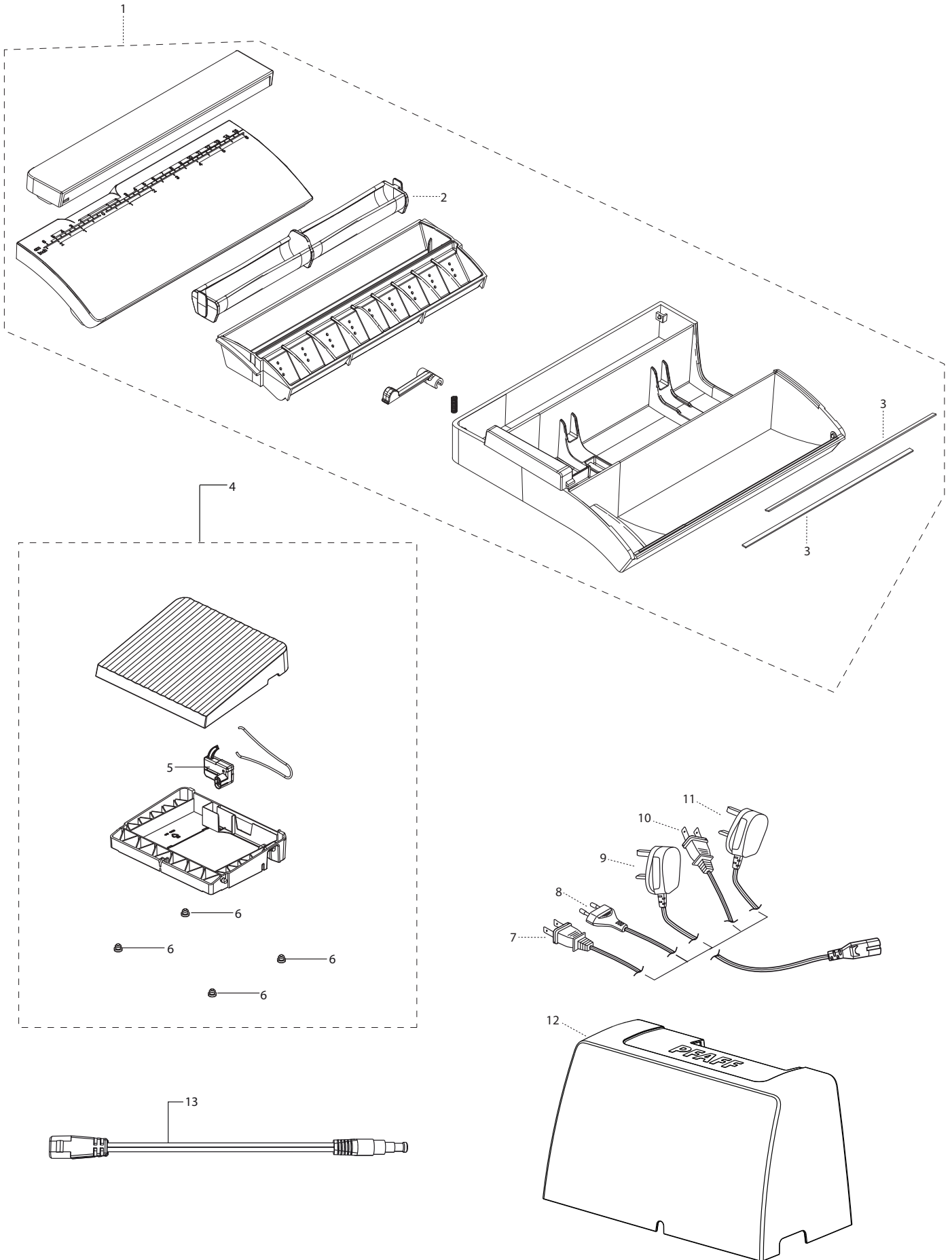
L



POS	PART NUMBER	DESCRIPTION
1	68009115	Thread Tension Cpl
2	68009636	Thread Tension Unit
3	68009300	Shield Unit
4	413218502	SEALING, TAKE UP LEVER
5	413233506	Brush Pile Seal
6	68005172	Disk Outer Thread Tension
7	68010802	Thread Tension Disc Center
8	68009475	Gear
9	412993903	Stepping Motor
10	68003623	Clamp
11	68003616	Shaft Thread Tension
12	68003621	Nut
13	411968703	Set Screw Flat M3x3
14	9303311855000	Screw 3x8
15	412211402	Screw M3x6
16	411966801	Screw PT 3x7,7
17	411966808	Screw PT 4x14
18	413314901	Screw PT 3x10



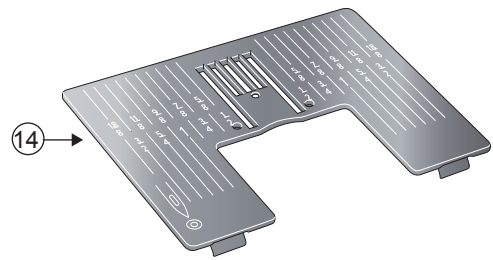
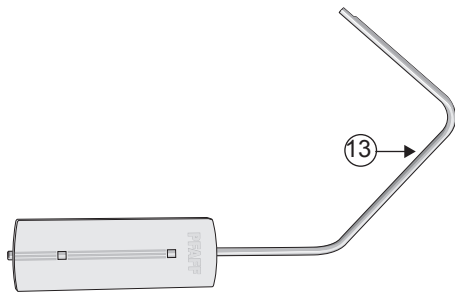
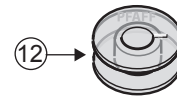
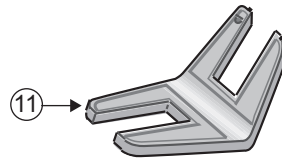
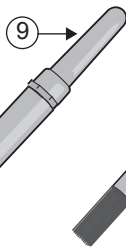
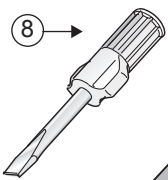
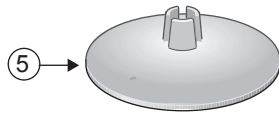
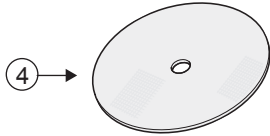
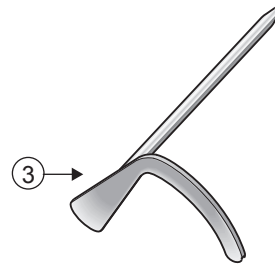
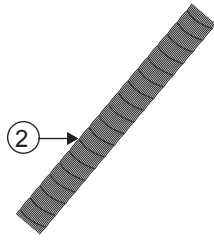
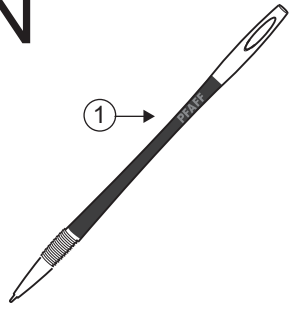
M



POS	PART NUMBER	DESCRIPTION
1	413083903	ACCES.BOX, CPL. W. SPOOL HOLD.
2	412737401	BOBBIN HOLDER
3	412529702	FRICITION TAPE 18,4 MM
4	412991405	FOOT CONTROL, CPL. BLACK
5	4412318901	CONTROL UNIT INCL.CARD
6	412184501	FOOT
7	412157903	NET CABLE 120V
8	412157801	NET CABLE 220V
9	412158002	NET CABLE GB
10		NET CABLE 120V JP
11		NET CABLE AU
12	68011537	COVER CPL
13	413021501	CABLE, FOOT CONTROL

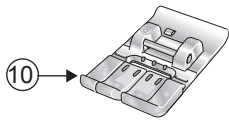
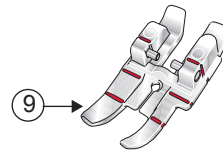
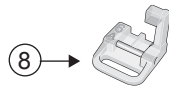
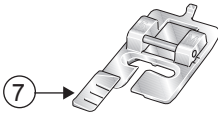
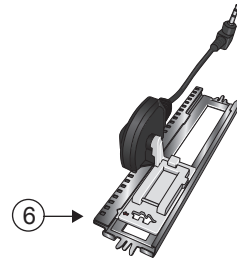
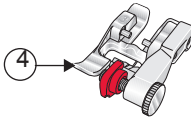
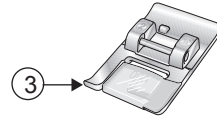
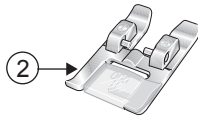
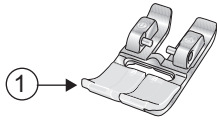
M

N



1	68009769	Stylus,
2	412397701	Thread Net 15x100
3	820251096	Edge Ruler
4	412610701	Felt Pad
5	413051603	Spool Holder 45mm
6	413051602	Spool Holder 35mm
7	413051601	Spool Holder 22mm
8	412381501	Screw Driver
9	401539901	Seam Ripper
10	413190401	Brush
11	413105601	Clearance Plate
12	413182401	Bobbin
13	413109701	Knee Lift
14	68003080	Needle plate

O





1		Standard presser foot OA
2	413059801	Fancy Stitch Foot 1A
3	413060501	Fancy Stitch Foot 2A
4	412844101	Blind Hem Foot 3
5	412864906	Zipper Foot 4
6	413170301	5A Sensormatic buttonhole foot
7	413005502	5M Manual buttonhole foot
8	413032101	EMBROIDERY FOOT 6A
9	412864906	1/4" Quilting Foot
10	413037101	MAXI-STITCH FOOT 8